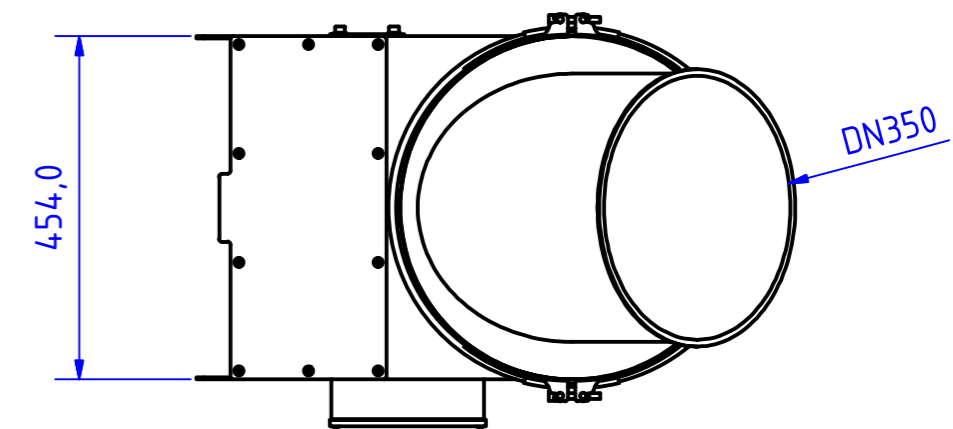
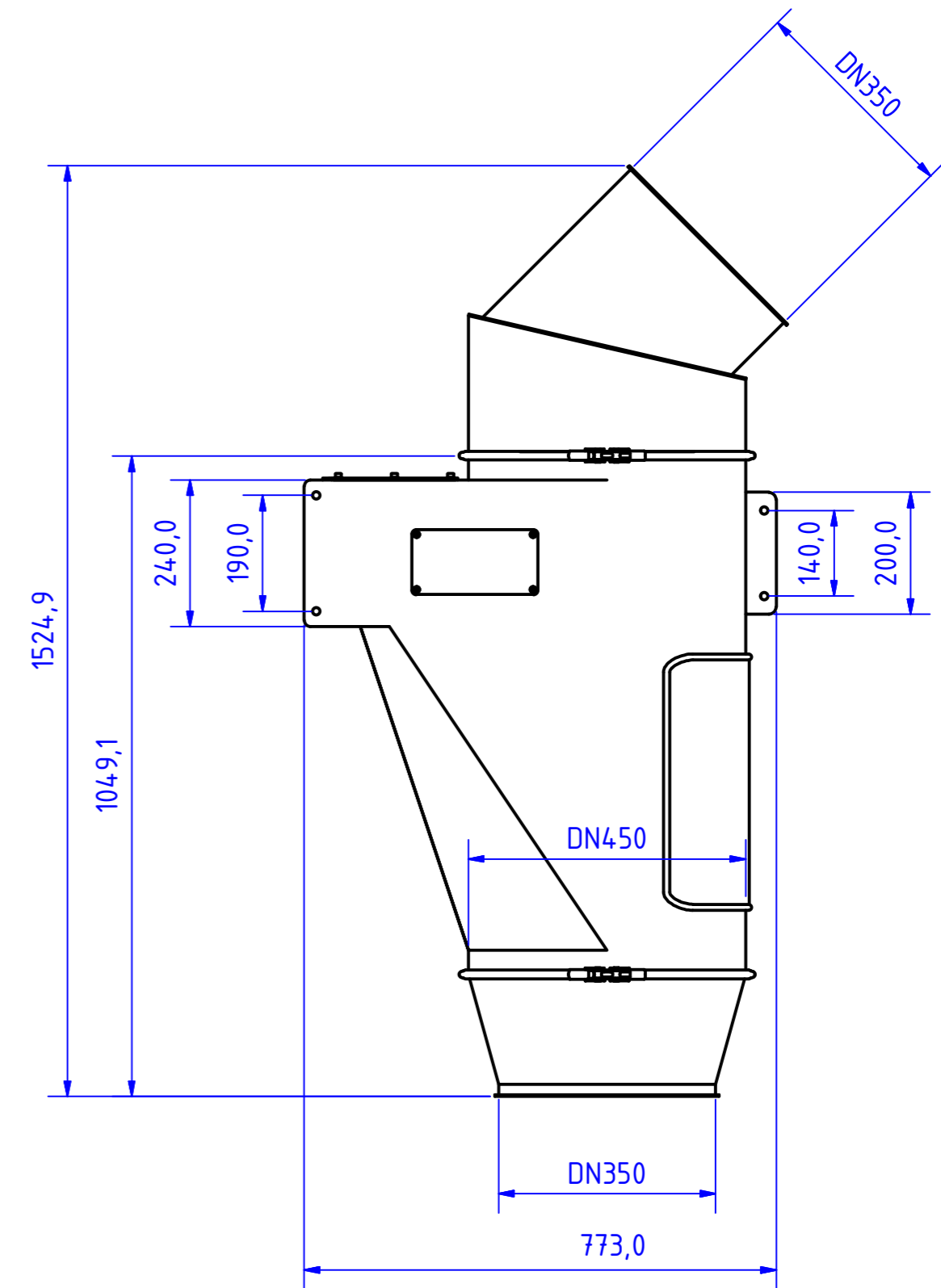
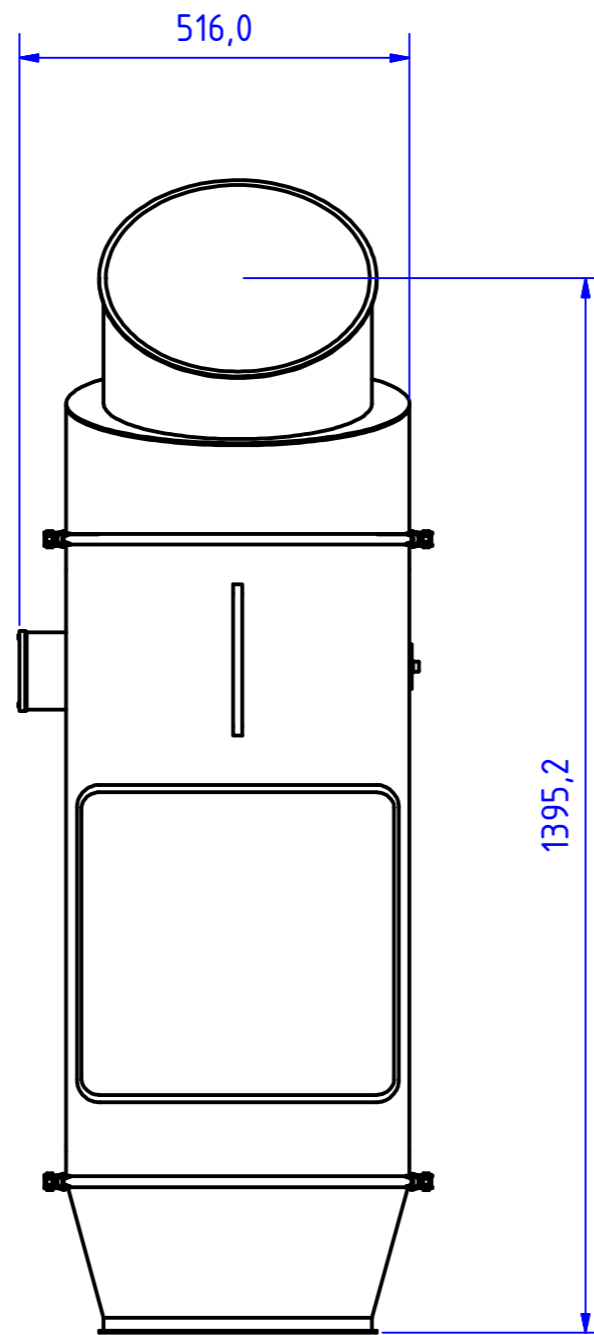
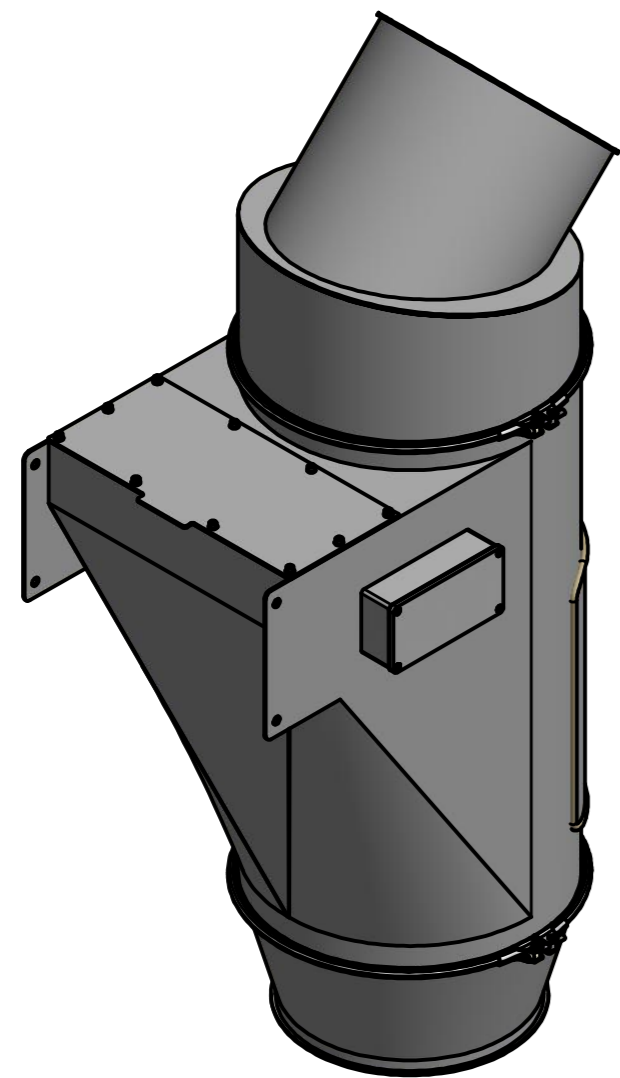


Flow Weigher DC3.350



Title			
Module	DC.310.DC3.350.V1.3 - Kompakt 45 Grad-1		
Project			
Page	1 / 1	Format	A2
Date	20.02.2019	Author	Cem
Company	FRIEDRICH electronic GmbH & Co. KG Holzmühlerweg 100, D-35457 Lollar, Germany Tel. +49 (0) 6406 - 1509, Fax. +49 (0) 6406 - 6602 Internet: www.friedrich-electronic.de, Email: service@friedrich-electronic.de		
Filename	D:\Inventor\Projekte\Produkte\DCG\Baureihen\DCG.310.ME\DC3.350\DC.310.DC3.350.V1.3 - Kompakt 45 Grad-1.dwg		