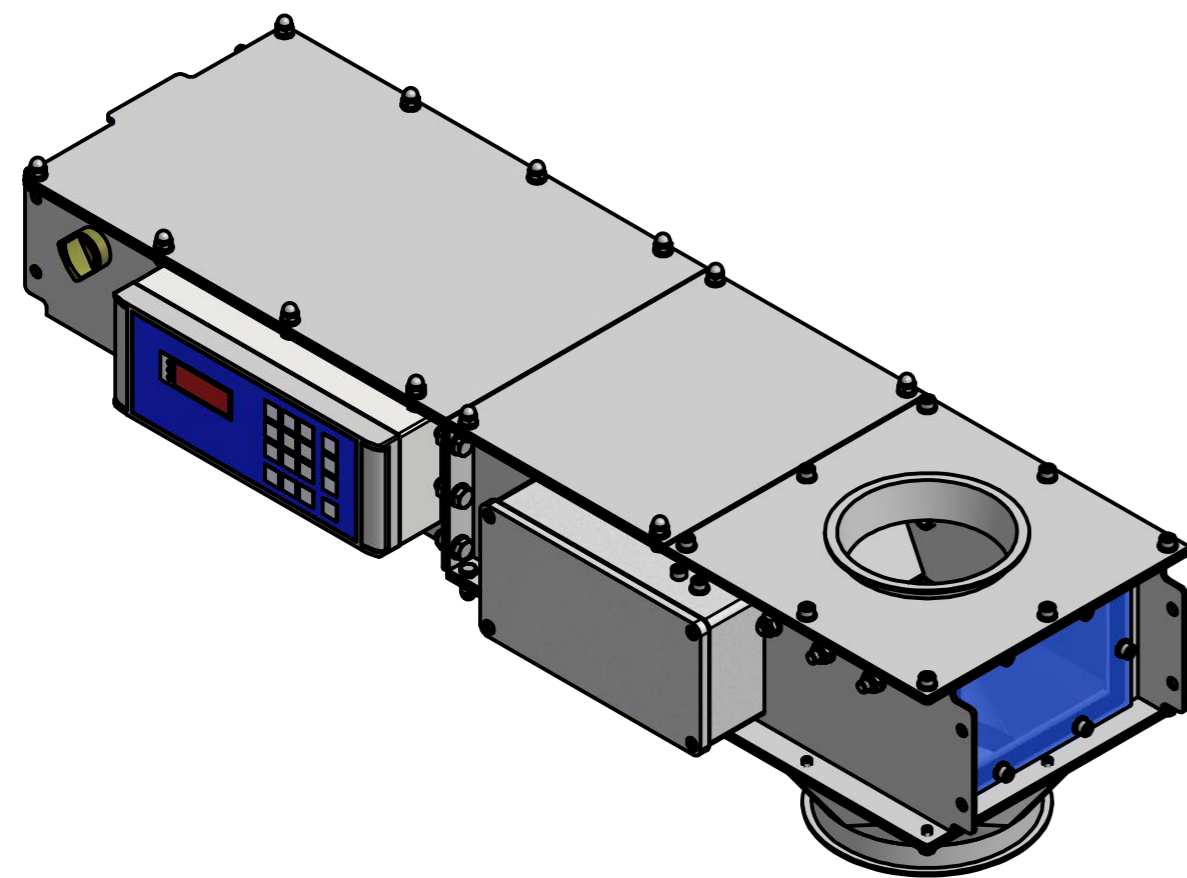
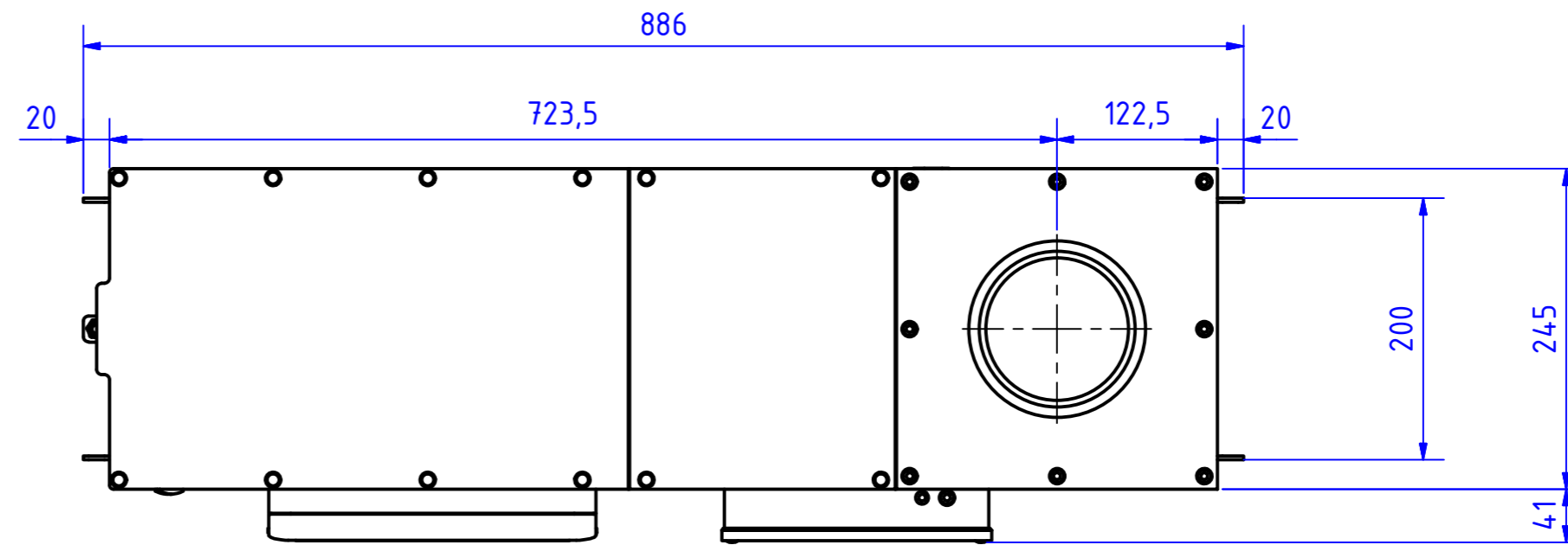
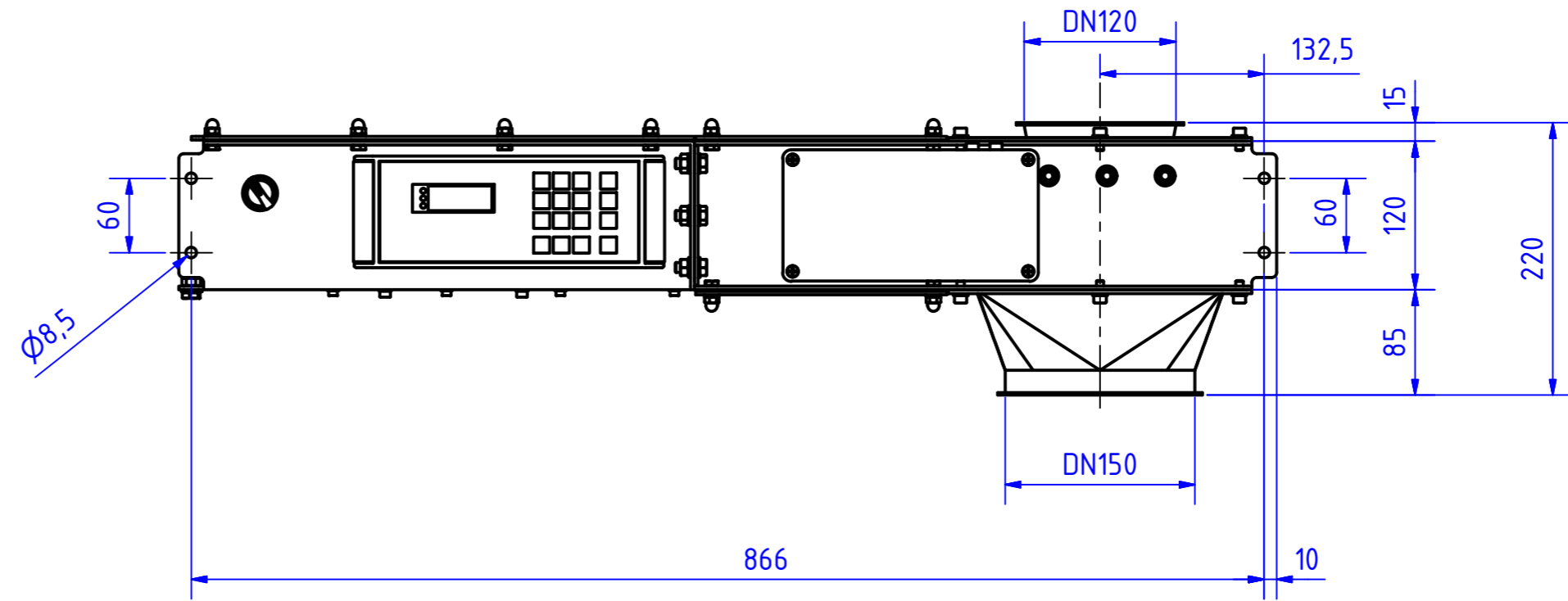
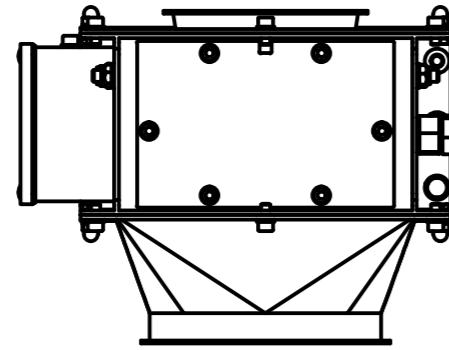


Flow Controller FC3.120.BR12

Elektronik: FE710



Title	Maßblatt		
Module	FC3.120.12.V0.5.FE710_Rev.1		
Project	Flow Controller FC3		
Page	1 / 1	Format	A2
Date	22.07.2019	Author	Friedrich
Company	FRIEDRICH electronic GmbH & Co. KG Holzmühlerweg 100, D-35457 Lollar, Germany Tel. +49 (0) 6406 - 1509, Fax. +49 (0) 6406 - 6602 Internet: www.friedrich-electronic.de, Email: service@friedrich-electronic.de		
Filename			