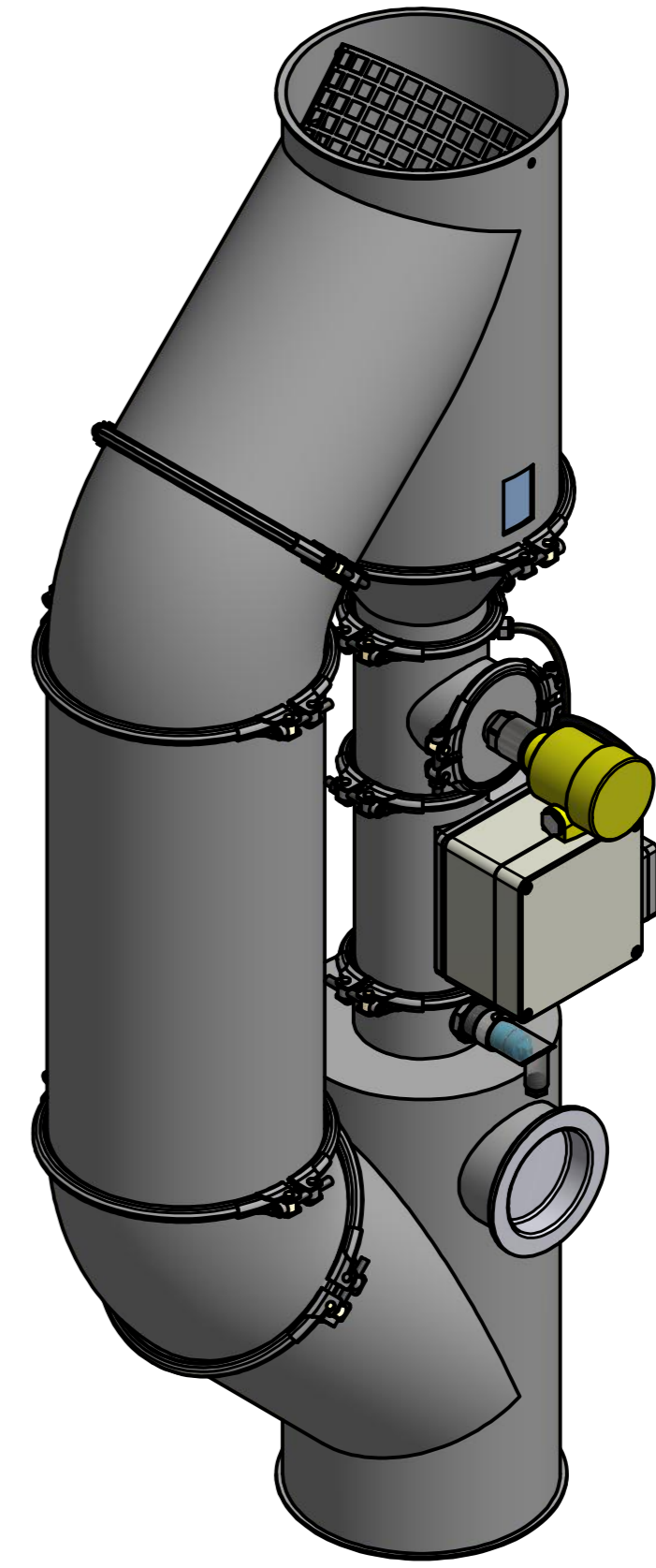
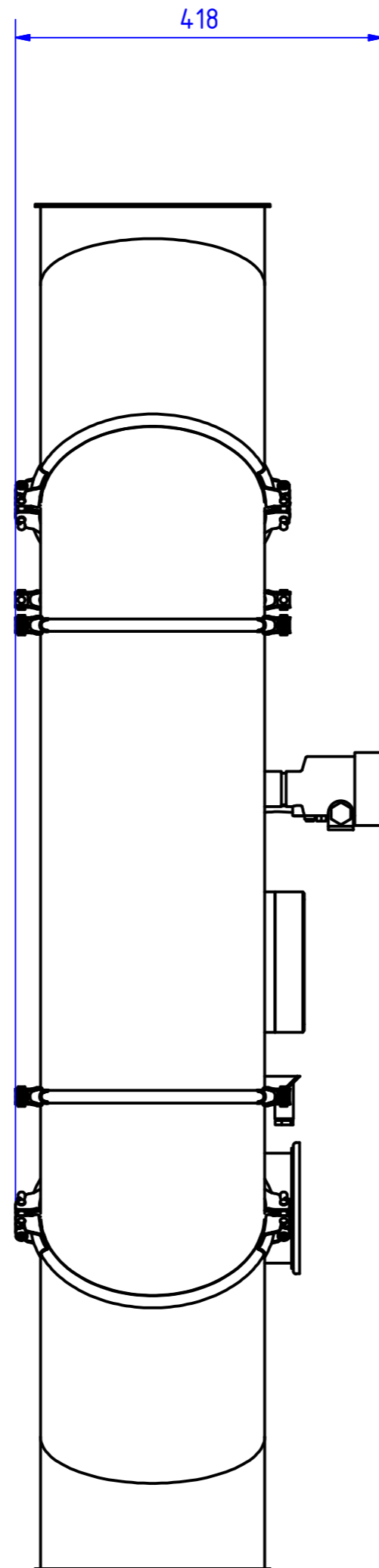
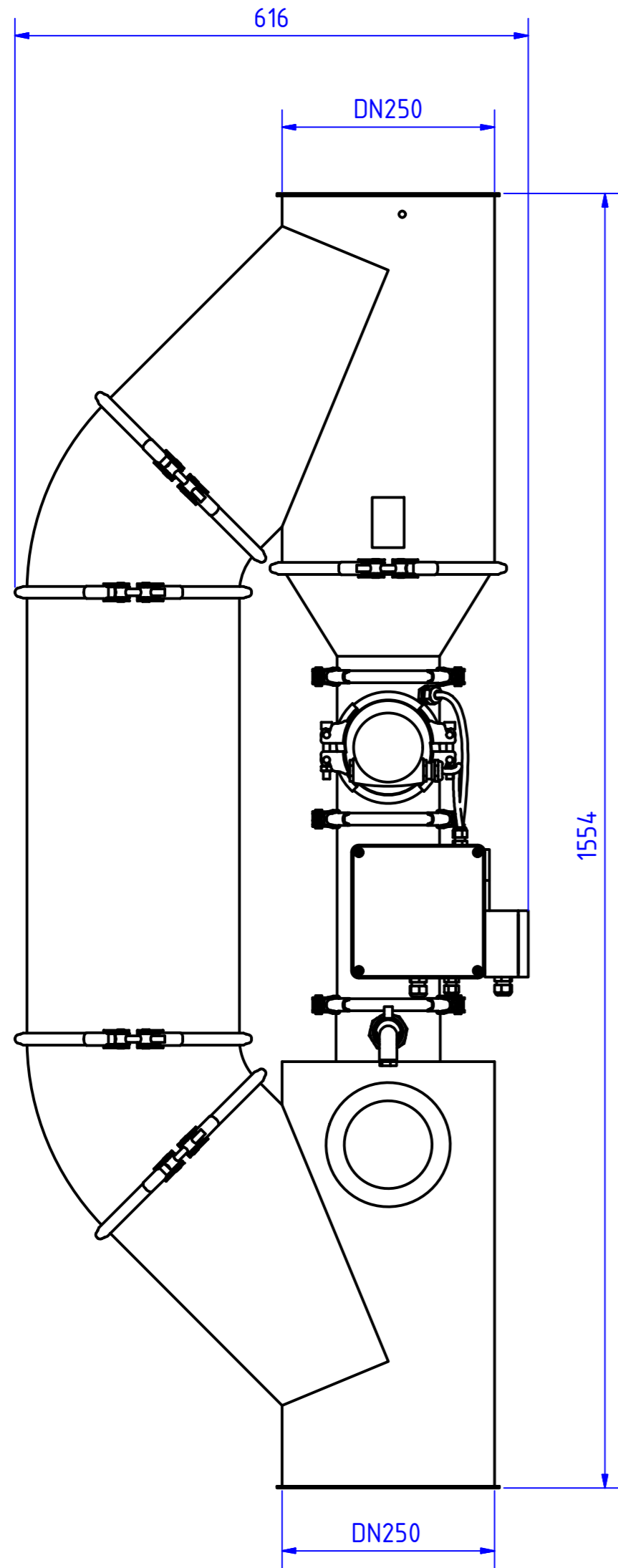


# Automatic Dampening System NC8.1

Measuring pipe

Pipe diameter 250 mm



|          |   |        |     |
|----------|---|--------|-----|
| Title    | Dimensions  |        |     |
| Module   |   |        |     |
| Project  |   |        |     |
| Page     | 1 / 1   | Format | A2  |
| Date     | 09.10.2018  | Author | Cem |
| Company  | FRIEDRICH electronic GmbH & Co. KG<br>Holzmühlerweg 100, D-35457 Lollar, Germany<br>Tel. +49 (0) 6406 - 1509, Fax. +49 (0) 6406 - 6602<br>Internet: www.friedrich-electronic.de, Email: service@friedrich-electronic.de |        |     |
| Filename |   |        |     |